

Cleaning the MFP

Topics Covered:

Clean the outside of the MFP	Page 1
Clean the touchscreen	Page 1
Clean the scanner glass	Page 1
Cleaning the ADF delivery system	Page 2-3
Clean the mylar strip	Page 4

To maintain print quality, clean the MFP thoroughly every time you replace the print cartridge and whenever print-quality problems occur.

WARNING:

Avoid touching the fusing area when cleaning the MFP. It can be hot.

CAUTION:

To avoid permanent damage to the print cartridge, do not use ammonia-based cleaners on or around the MFP except as directed.

Clean the outside of the MFP

- Clean the outside of the MFP if it is visibly marked.
- Use a soft, lint-free cloth dampened with water, or water and a mild detergent.

Clean the touchscreen

Clean the touchscreen whenever it is necessary to remove fingerprints or dust. Wipe the touchscreen gently with a clean, water-dampened, lint-free cloth.

CAUTION:

Use water only. Solvents or cleaners can damage the touchscreen. Do not pour or spray water directly onto the touchscreen.

Clean the scanner glass

- Clean the scanner glass only if dirt is visible, or if you are experiencing a decrease in copy quality, such as streaking.
- Clean the scanner glass by wiping it gently with a clean, slightly damp, lint-free cloth. Use an ammonia-based surface cleaner only when a water-dampened cloth does not clean the scanner glass.

CAUTION:

Do not pour or spray liquids directly onto the scanner glass. Do not press hard on the glass surface. (You could break the glass).



Cleaning the ADF delivery system

Clean the ADF only if it is visibly marked or dirty, or if you are experiencing a decrease in copy quality (such as streaking).

Clean the ADF delivery system

1. Open the scanner lid.

Figure 1: Location of the scanner lid

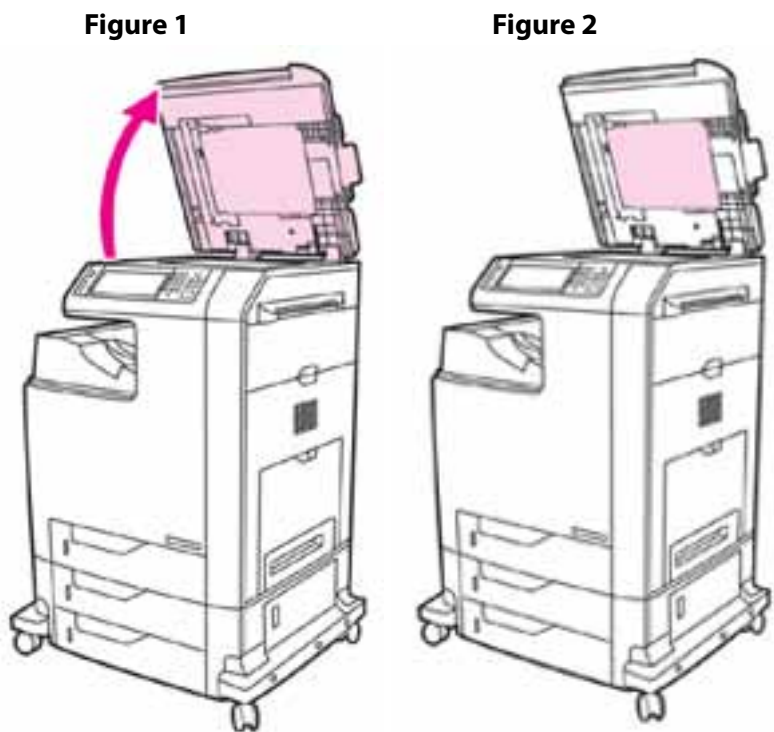
2. Locate the white, vinyl ADF backing.

Figure 2: Location of ADF backing

3. Clean the ADF backing by wiping them with a clean, damp, lint-free cloth. Use an ammonia-based surface cleaner only when a water-dampened cloth does not clean the ADF components.

4. Clean the scanner glass by wiping it gently with a clean, slightly damp, lint-free cloth. Use an ammonia-based surface cleaner only when a water-dampened cloth does not clean the scanner glass.

5. Close the scanner lid.



Clean the ADF rollers

You should clean the rollers in the ADF if you are experiencing misfeeds or if your originals show marks as they exit the ADF.

CAUTION:

Clean the rollers only if you experience misfeeds or marks on the originals, and you notice dust on the rollers. Cleaning the rollers frequently could introduce dust into the device.

1. Open the scanner lid.

2. Locate the rollers near the white vinyl ADF backing.

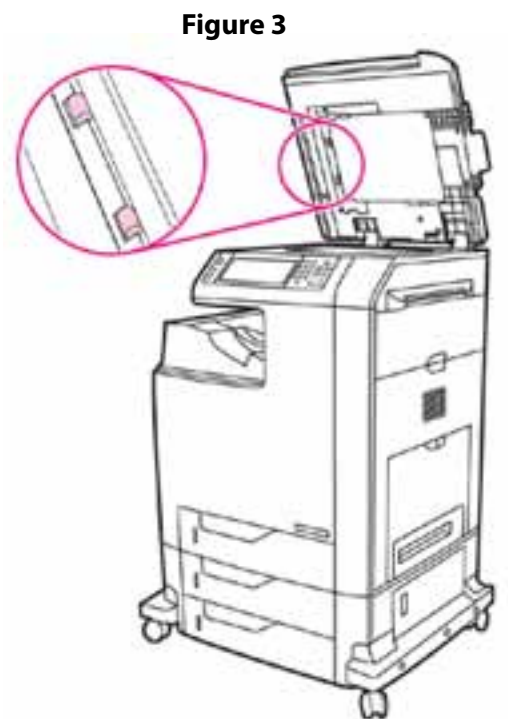
Figure 3: Location of ADF rollers

3. Wipe the rollers gently with a clean, water-dampened, lint-free cloth.

CAUTION:

Do not pour water directly onto the rollers. Doing so might damage the device.

4. Close the scanner lid.



(continued on next page)

5. Pull the release lever to open the ADF cover.

Figure 4: Location of ADF cover release lever

6. Locate the rollers.

Figure 5: Location of rollers access

7. Wipe the rollers with a clean, water-dampened, lint-free cloth.

CAUTION:

Do not pour water directly onto the rollers. Doing so might damage the device.

8. Locate the separation pad.

Figure 6: Location of separation pad

9. Wipe the pad with a clean, water-dampened, lint-free cloth.

10. Close the ADF cover.

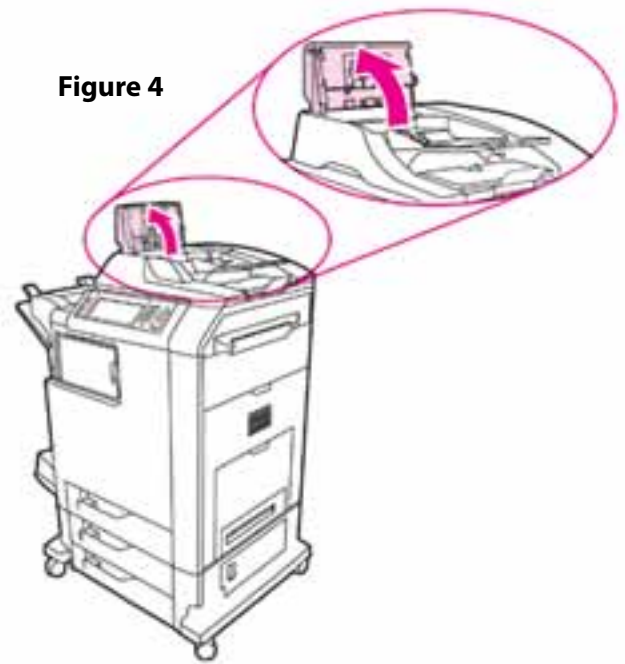


Figure 4

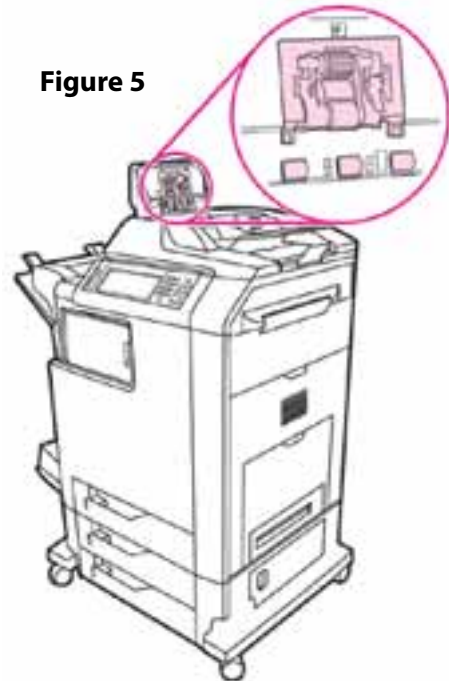


Figure 5

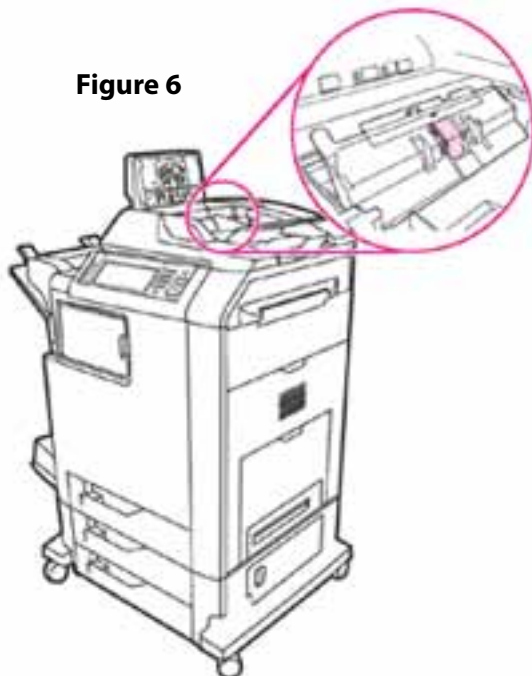


Figure 6

Clean the mylar strip

Clean the mylar strips on the underside of the scanner lid only if you are experiencing a decrease in copy quality (such as vertical lines) when copying using the ADF.

1. Open the scanner lid.
2. Locate the mylar strip.

Figure 7: Locations of mylar strip and replacements

NOTE:

Replacement mylar strips are stored in an envelope (2) that is underneath the white vinyl ADF backing. Follow the instructions that are in the envelope.

3. Clean the mylar strip with a clean, damp, lint-free cloth.
4. Close the scanner lid.

Figure 7

